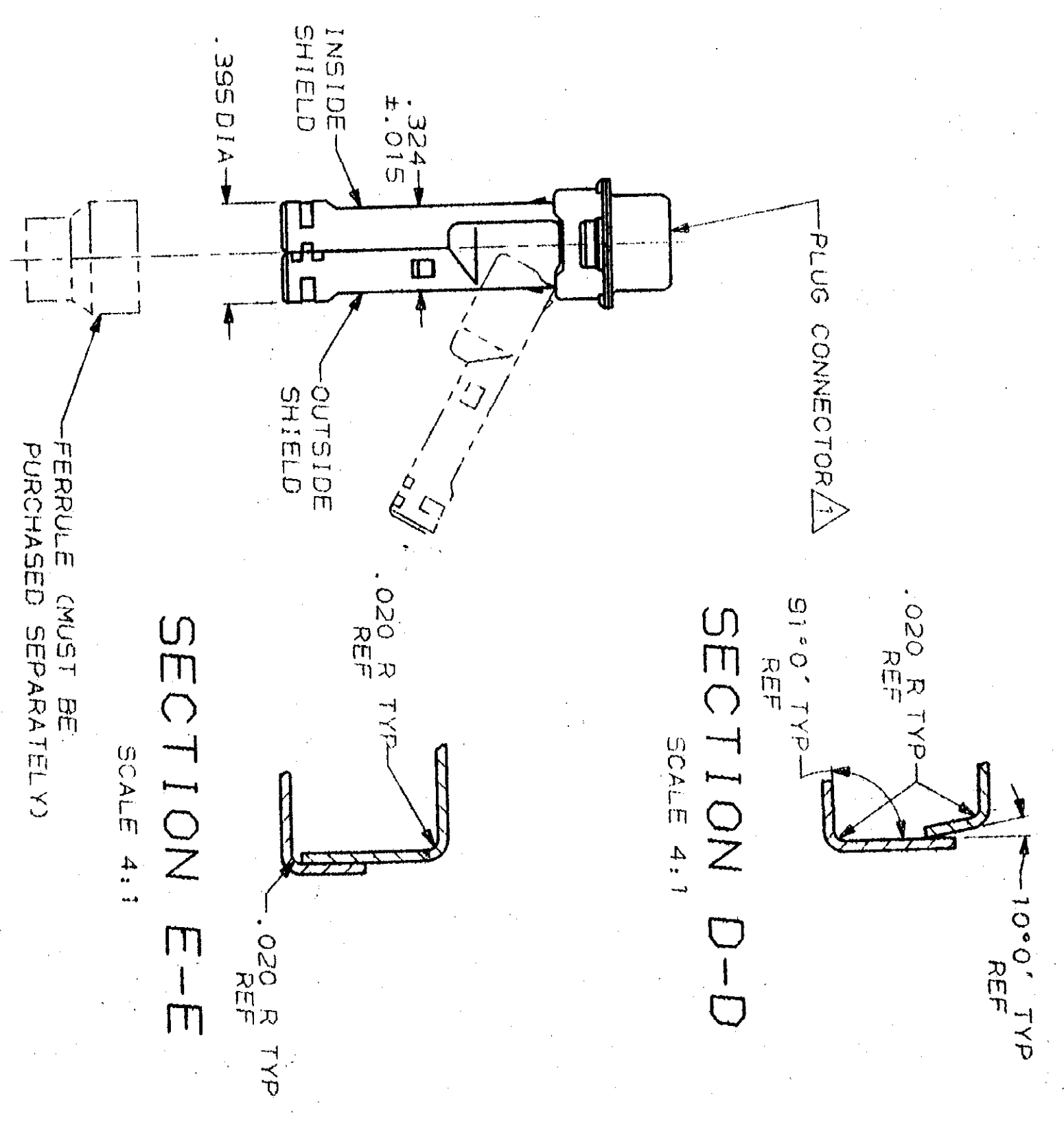
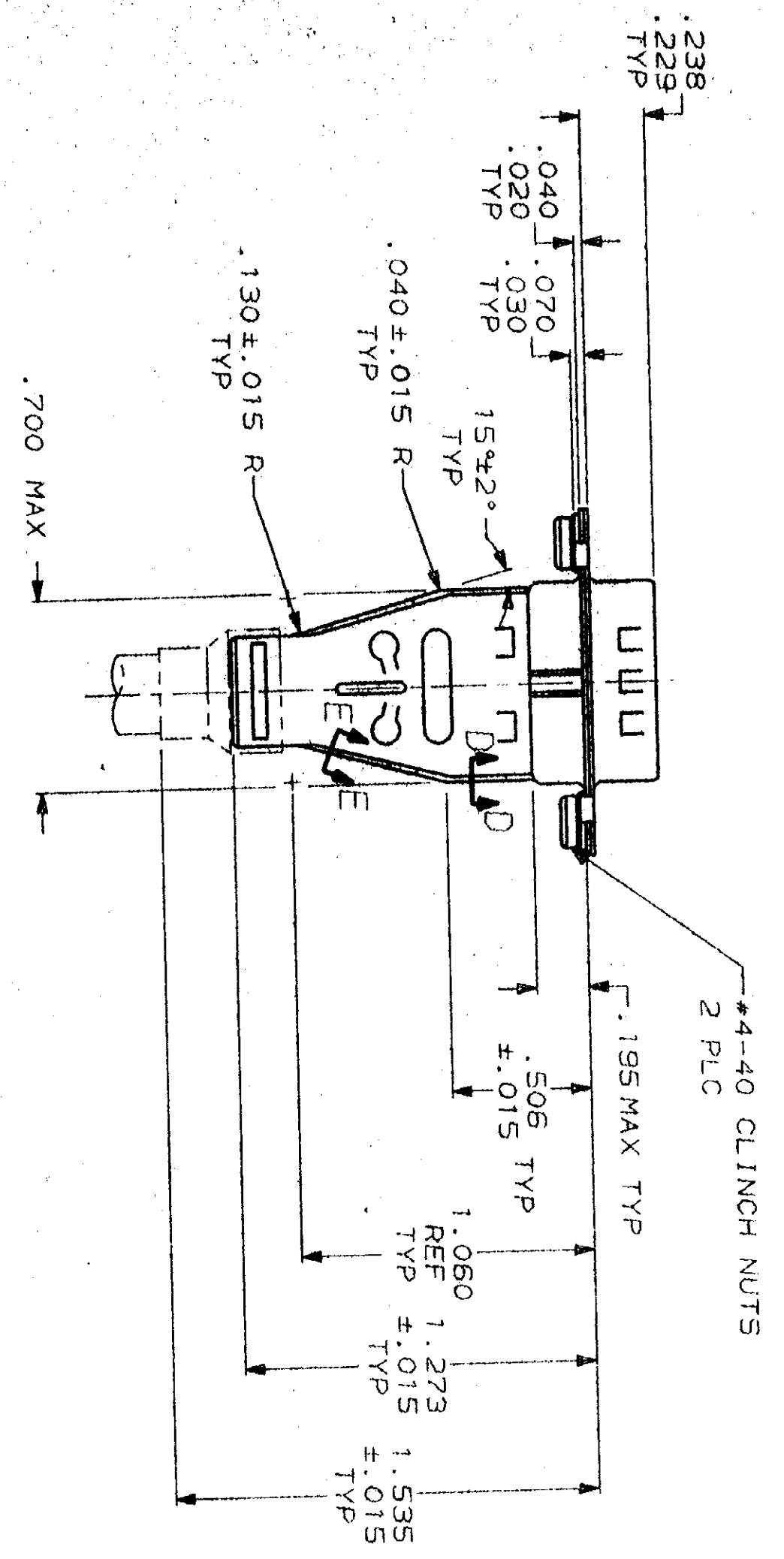
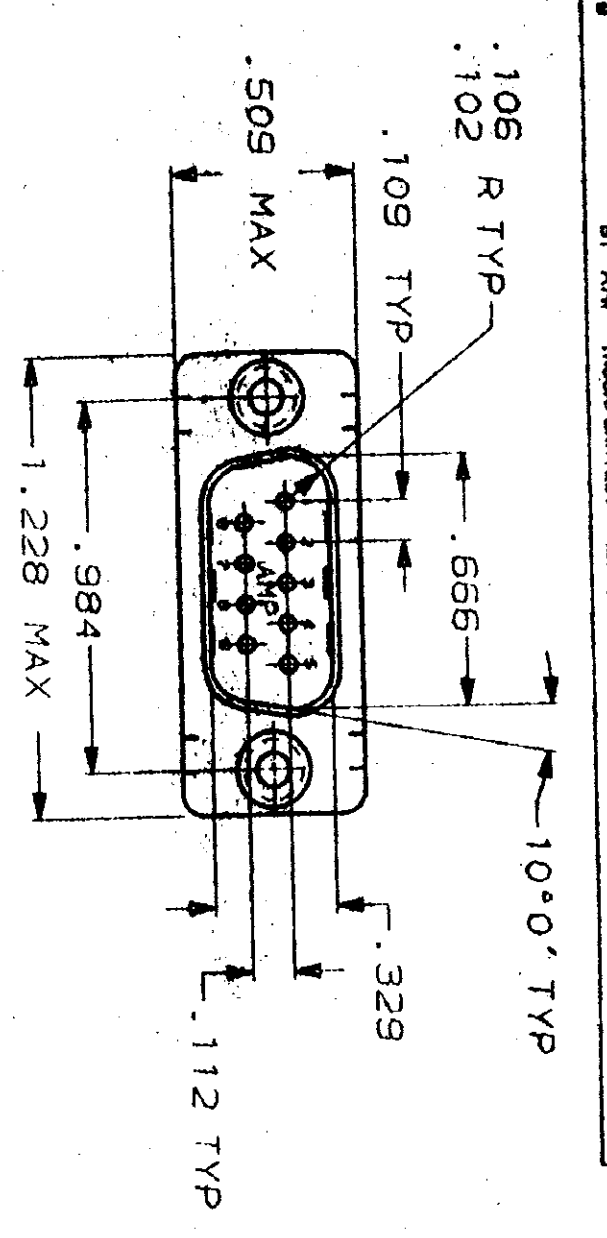


| REV | DATE | APPD | DESCRIPTION |
|-----|--------|------|--------------------|
| 2 | 8-8-90 | YMS | REV PER ECN B05049 |
| 1 | | | |



1. PLUG ACCEPTS SIZE 20 PIN CONTACTS (CONTACTS MUST BE ORDERED SEPARATELY).
2. ALL PARTS SHIPPED UNASSEMBLED, EACH PART INDIVIDUALLY BULK PACKED.
3. FLAME RETARDANT, 94V-0 RATED, GLASS FILLED NYLON OR POLYESTER, BLACK.
4. TIN PLATED PER MIL-T-10727.
5. STEEL PER ASTM A109.

| | | | |
|--|--|--------------------------------|--|
| DO NOT SCALE PRINT. UNLESS SPECIFIED DIMENSIONS IN INCHES TOLERANCES ON: | | DR 6-8-90 | |
| 1. DIMENSIONS | | CHK J. MCCLINTON | |
| 2. PLG DEC # | | APPD B. TAYLOR | |
| 3. PLG DEC # | | APPD J. ASSINI | |
| 4. ANGLES | | PRODUCT SPEC | |
| MATERIAL | | NAME | |
| INSERT: 3 | | AMP INCORPORATED | |
| SHELLS & SHIELDS: 5 | | HDP-20 | |
| FINISH | | KIT, PLUG, SHIELDING HARDWARE, | |
| SHELLS & SHIELDS: 4 | | 9 POSN, SIZE 1, W/CLINCH NUTS, | |
| APPLICATION SPEC | | AMPLIMITE™ HDP-20 | |
| WEIGHT | | SCALE 2:1 | |
| SIZE | | FSCM NO | |
| C | | 00779 | |
| DRAWING NO | | 748526 | |
| SHEET | | 1 OF 1 | |

CUSTOMER DRAWING

748526-1
PART NUMBER

748526